

Form 1785w
June, 1921

HISTORICAL COPY
DO NOT REMOVE

LIST OF PARTS



From the Singer Sewing Machine Corp

MACHINE No. 23-20

THE SINGER MANUFACTURING COMPANY

COPYRIGHT, U. S. A., 1921, BY THE SINGER MANUFACTURING CO.
ALL RIGHTS RESERVED FOR ALL COUNTRIES

INDEX

	PAGE
ACCESSORIES	18
CLAMP PARTS	19
MACHINE NO. 23-20	7
NUMERICAL LIST OF PARTS	23
OBSOLETE PARTS	21
TABLE BELT GUIDE	18

From the library of: Diamond Needle Co.

INSTRUCTIONS FOR ORDERING

In ordering from this list, use **ONLY** the part NUMBER in the **FIRST** column.

The number stamped on a Sewing Machine part is in every case the number of the single part only.

Every combination of parts sent out as such has its specific number, which, although not stamped on the parts, must be used when ordering the combination.

Each number always indicates the **SAME PART** in whatever list it appears, or for whatever machine.

The letters after some of the numbers indicate the style of finish only, as follows:

- A. Hardened, Polished and Plated.
- B. Polished and Plated
- C. Hardened only.
- D. Polished only.
- E. Soft, not Polished.
- F. Hardened and Polished.
- G.
- H. Blued
- J. Plated only.
- K. Hardened and Plated.
- L. Brass or Gilt.
- M. Oxidized.
- P. Japanned.
- R. Parkerized.

These letters **MUST BE USED** when they appear in the list, and **AFTER** the number as in the list.

In this series

1 to 1500 and 50001 to 51500 are Screw Numbers.

1501 to 1800 are Nut Numbers.

1801 to 2000 are Roller Numbers.

2001 to 50000 and 52001 and upward are numbers of Machine Parts.

The figures in the second column refer only to the plates, illustrating the parts, and are **NOT TO BE USED** in ordering.

Parts marked with an asterisk (*) are furnished only when repairs are made at factory.

LIST OF PARTS COMPLETE

FOR

MACHINE No. 23-20

For Clothing

Makes two inch buttonholes. Has cutting and straight barring attachments.

No.	Plate	Name
*10892	—	Arm with 771D and 10008
8582	1798	" Dowel Pin (2)
118E	1797	" Screw (3)
10002	4781	" Shaft (horizontal)
18820	4784	" " " Gear with 453c
2117	1798	" " " " Pin
453c	1799	" " " " Set Screw ..
144D	1797	" " " " Screw
10005	4781	" " (upright)
18821	4784	" " " Gear with 453c ..
2117	1798	" " " " Pin
453c	1799	" " " " Set Screw ..
*10008	—	" Side Plate
771D	1797	" " " Thumb Screw
10217	4782	Barring Lever
10218	4784	" " Cap
176D	1799	" " " Screw (2)
10219	4784	" " Clutch
217F	1799	" " " Adjusting Screw ..
		(2)
10220	4784	Barring Lever Clutch Lever
100D	1799	" " " " Hinge
		Screw
10222	4784	Barring Lever Clutch Lever Yielding
		Connection with 10251
91F	1799	Barring Lever Clutch Lever Yielding
		Connection Guide Screw
106D	1799	Barring Lever Clutch Lever Yielding
		Connection Hinge Screw
10223	1799	Barring Lever Clutch Lever Yielding
		Connection Spring
10251	1799	Barring Lever Clutch Lever Yielding
		Connection Spring Hook
233D	1799	Barring Lever Clutch Lever Yielding
		Connection Spring Screw

Parts for Machine No. 23-20

No.	Plate	Name
*10894	—	Bed
18640	4781	" Plate with 18620, 18621 and four 405E
18815	—	Bed Plate 18640 with 18797, 18798 and four 231c
18816	—	Bed Plate complete, Nos. 10024, 10637, 18589, 18815 and three 405E
10637	4784	Bed Plate Button
405E	1799	" " " Screw
18589	4784	" " " Slide
10307	4782	" " " " Connection with 10136
10309	1798	Bed Plate Button Slide Connection Spring
10136	1798	Bed Plate Button Slide Connection Spring Hook (2)
214D	1797	Bed Plate Button Slide Connection Stop Screw
10020	1796	Bed Plate Clamp Guide Slide with 1827
10021	1796	Bed Plate Clamp Guide Slide Guide
399F	1799	" " " " " " " Screw
1827	1798	Bed Plate Clamp Guide Slide Roller and Stud
10023	1796	Bed Plate Clamp Guide Slide Spring
10022	1798	" " " " " " " Stop Stud
10024	1796	Bed Plate Clamp Guide complete, Nos. 10020, 10022, 10023, two 10021 and four 399F
18797	4784	Bed Plate Clamp Stop (left) with 18752
18798	4784	Bed Plate Clamp Stop (right) with 18752
231c	1797	Bed Plate Clamp Stop Screw
18752	1798	" " " " Stud
10461	1798	" " Dowel Pin (2)
18620	4783	" " Protector (left), for 1/2 to 1 in. and 2 in. buttonholes
18621	4783	Bed Plate Protector (right), for 1/2 to 1 in. and 2 in. buttonholes
405E	1799	Bed Plate Protector Screw
389F	1799	" " Screw (4)
10763	4783	Clamp Arm (lower, left)
10762	4783	" " (lower, right)
10156	1796	" " (lower) Front Guide (left)

Parts for Machine No. 23-20

No.	Plate	Name
10155	1796	Clamp Arm (lower) Front Guide (right)
10157	1798	Clamp Arm (lower) Front Guide Dowel Pin
402D	1799	Clamp Arm (lower) Front Guide Screw
10159	1796	Clamp Arm (lower) Rear Guide (left)
10161	1799	" " " " " " " Rivet
10158	1796	Clamp Arm (lower) Rear Guide (right)
10160	1798	Clamp Arm (lower) Rear Guide (right) Rivet
10765	4783	Clamp Arm (upper, left) with 10165
10764	4783	" " (upper, right) with 10165
10164	1796	" " (upper) Adjusting Slide
247F	1799	" " " " " " " Screw
10165	1798	Clamp Arm (upper) Adjusting Slide Steady Pin
10170	1796	Clamp Arm (upper) Connecting Yoke
10171	1796	" " " " " " " Link with two 220D
220D	1799	Clamp Arm (upper) Connecting Yoke Link Screw
10172	1796	Clamp Arm (upper) Hinge
10173	1799	" " " " Pin
176D	1799	" " " " Screw
10195	4785	" " " " Spring
10174	1796	" " Spreader
10821	4782	" " " " Lever
99E	1799	" " " " Hinge Screw
10176	1796	" " " " Link
105D	1799	" " " " Hinge Screw
109D	1799	" " " " Screw
10767	4783	" Check (left)
10766	4783	" " (right)
10157	1798	" " Hinge Pin
10177	1796	" Crank Shaft
10179	4785	" " " " Bracket (left)
10178	4785	" " " " (right)
397E	1799	" " " " Screw (large)
223E	1799	" " " " " (small)
10180	1796	" " " " Lever
10181	1799	" " " " Pin
10182	1796	" Guide Pin
10183	1796	" " " " Lifter
103D	1799	" " " " Hinge Screw
10184	1796	" " " " Spring
233D	1799	" " " " " Screw

No.	Plate	Name
10157	1798	Clamp Guide Pin Lifter Stop Pin ..
10185	1796	" " " Post
10768	4783	" Plate
10187	1799	" Thread Catch
240D	1799	" " " Screw
10769	—	Clamp, 2 in., complete, Nos. 99E, 103D, 105D, 109D, 233D, 240D, 10155, 10156, 10158, 10159, 10170, 10171, 10174, 10176 to 10185, 10187, 10762 to 10768, 10821, two each 176D, 223E, 247F, 397E, 402D, 10160, 10161, 10164, 10172, 10173, 10195 and five 10157
10880	4785	Cutting Block (brass), 2 inch
10452	4781	" " Arm
10453	4785	" " " Ratchet Wheel ..
10454	4785	" " " " " Re- taining Spring Latch
159F	1799	Cutting Block Arm Ratchet Wheel Retaining Spring Latch Screw ..
304C	1797	Cutting Block Arm Screw Center (2)
1513E	1799	" " " " " Nut (2)
10455	4782	Cutting Block Arm Spring
444F	1799	" " Set Screw (2)
10229	4781	Driving and Stop Motion Balance Wheel with two 445c
445C	1799	Driving and Stop Motion Balance Wheel Set Screw
10230	4782	Driving and Stop Motion Connecting Rod
10232	—	Driving and Stop Motion Connecting Rod 10230 with 10231
10231	4784	Driving and Stop Motion Connecting Rod Head
38D	1797	Driving and Stop Motion Connecting Rod Head Hinge Screw
10233	4784	Driving and Stop Motion Connecting Rod Link
57C	1797	Driving and Stop Motion Connecting Rod Link Hinge Screw
10235	4781	Driving and Stop Motion Friction Pulley with 10236
10236	4784	Driving and Stop Motion Friction Pulley Center Bearing
10238	4781	Driving and Stop Motion Friction Pulley Washer (paper)
10239	4781	Driving and Stop Motion Lever with 10556
124E	1797	Driving and Stop Motion Lever Ad- justing Screw (2)

No.	Plate	Name
1518E	1799	Driving and Stop Motion Lever Ad- justing Screw Nut (2)
10240	4781	Driving and Stop Motion Lever Bracket
355D	1797	Driving and Stop Motion Lever Bracket Screw (2)
9263	1799	Driving and Stop Motion Lever Bracket Screw Washer (2)
10241	4785	Driving and Stop Motion Lever Fric- tion Pad (leather)
401E	1799	Driving and Stop Motion Lever Fric- tion Pad Screw (4)
150D	1797	Driving and Stop Motion Lever Screw
10243	4783	Driving and Stop Motion Lever Screw Washer
10242	4784	Driving and Stop Motion Lever Spring
10556	4785	Driving and Stop Motion Lever Spring Pin
159D	1799	Driving and Stop Motion Lever Spring Screw
6312	1799	Driving and Stop Motion Lever Spring Screw Washer
10245	4784	Driving and Stop Motion Ratchet Lever with 1823 and 10251
196D	1797	Driving and Stop Motion Ratchet Lever Adjusting Screw
63D	1797	Driving and Stop Motion Ratchet Lever Hinge Screw
10247	4784	Driving and Stop Motion Ratchet Lever Pawl with 10248
100D	1799	Driving and Stop Motion Ratchet Lever Pawl Hinge Screw
10248	1799	Driving and Stop Motion Ratchet Lever Pawl Pin
10249	4784	Driving and Stop Motion Ratchet Lever Pawl Spring
236F	1799	Driving and Stop Motion Ratchet Lever Pawl Spring Screw
1823	1799	Driving and Stop Motion Ratchet Lever Roller and Stud
5569	1796	Driving and Stop Motion Ratchet Lever Spring
10251	1799	Driving and Stop Motion Ratchet Lever Spring Hook
10582	4782	Driving and Stop Motion Starting Lever

No.	Plate	Name
52c	1797	Driving and Stop Motion Starting Lever Hinge Screw
18817	4784	Driving and Stop Motion Tripping Lever with two 10257
10255	4784	Driving and Stop Motion Tripping Lever Catch
106D	1799	Driving and Stop Motion Tripping Lever Catch Hinge Screw
10223	1799	Driving and Stop Motion Tripping Lever Catch Spring
233D	1799	Driving and Stop Motion Tripping Lever Catch Spring Screw
10032	1796	Driving and Stop Motion Tripping Lever Handle
18818	4784	Driving and Stop Motion Tripping Lever Handle Bar
10556	4785	Driving and Stop Motion Tripping Lever Handle Bar Rivet
18819	7484	Driving and Stop Motion Tripping Lever complete, Nos. 10032, 18817, 18818 and four 10556
77D	1797	Driving and Stop Motion Tripping Lever Hinge Screw
10256	4784	Driving and Stop Motion Tripping Lever Spring
10257	1799	Driving and Stop Motion Tripping Lever Spring Pin
10770	4784	Eye Stop, for 10730
1071c	1797	" " Adjusting Screw
1518e	1799	" " " " Nut
10026	4780	Face Plate
176D	1799	" " Screw (3)
10152	1798	" " Thread Guide
10028	4781	Feed Driving Bell Crank Lever with 1805
2D	1796	Feed Driving Bell Crank Lever Hinge Screw
1805	1798	Feed Driving Bell Crank Lever Roller and Stud
10261	4785	Feed Hand Ratchet Lever
10262	4785	" " " " Handle ..
52c	1797	" " " " Hinge Screw
18792	4784	Feed Hand Ratchet Pawl with 18791
10034	1798	" " " " Hinge Stud
5569	1796	" " " " Spring ...
18791	1799	" " " " Hook, for 18792
10061	4785	Feed Hand Ratchet Pawl Spring Pin, for Bed

No.	Plate	Name
18591	---	Feed Hand Ratchet complete, Nos. 10034, 10261, 10262 and 18792 ...
10370	4781	Feed and Looper Cam with two 445c
445c	1799	" " " " Set Screw ...
10041	1796	" Regulator (long)
10558	1796	" " (reverse)
176D	1799	" " Screw (2)
10947	4785	" Releasing Lever with 10948 and two 18587
176D	1799	Feed Releasing Lever Adjusting Screw (2)
10948	4785	Feed Releasing Lever Packing
18587	1799	" " " " Rivet
10950	4785	" Shipper Lever with 1814 and 1900
71D	1797	Feed Shipper Lever Hinge Screw ..
1900	1797	" " " Releasing Roller and Stud
1814	1798	Feed Shipper Lever Roller and Stud
10800	---	" Wheel with 10773, for 2 in. buttonhole
10059	1796	Feed Wheel Brake Dog with 10060..
5569	1798	" " " " Spring
10035	1798	" " " " Hook..
10060	1798	" " " " Stud
18563	4780	" " Driving Lever with 129E
129E	1797	" " " " Adjusting Screw
10063	1796	Feed Wheel Driving Lever Block ..
357F	1797	" " " " " Ad-justing Screw
1520E	1798	Feed Wheel Driving Lever Block Ad-justing Screw Nut
8734	1796	Feed Wheel Driving Lever Spring ..
10061	4785	" " " " " Pin
429c	1797	" " " " Supporting Screw
1513E	1799	Feed Wheel Driving Lever Support-ing Screw Nut
10772	4784	Feed Wheel Friction Block
18579	4784	" " " " Spring ..
430c	1797	" " " " Ad-justing Screw
1520E	1798	Feed Wheel Friction Block Spring Adjusting Screw Nut
10773	---	Feed Wheel Latch, 2 inch
10881	4785	Knife, 2 inch
10882	---	" 2 in. (small size eye)
10730	4784	" Holder with 209F and two 10556

No.	Plate	Name
10552	4785	Knife Holder Adjusting Collar with 453c
453c	1799	Knife Holder Adjusting Collar Set Screw
10883	4784	Knife Holder Connecting Link
72d	1799	" " " " Hinge Screw
10554	1798	Knife Holder Connecting Link Pin..
10555	4782	" " Hinge Pin
450c	1799	" " " " Set Screw ..
18870	—	" " Lifting Rock Shaft
10884	4784	" " " " " " Con-necting Link
10562	1798	Knife Holder Lifting Rock Shaft Con-necting Link Pin (2)
293c	4784	Knife Holder Lifting Rock Shaft Screw Center (2)
1501E	4784	Knife Holder Lifting Rock Shaft Screw Center Nut (2)
10556	4785	Knife Position Pin
209F	1799	" Set Screw
10371	1799	Looper (long)
10372	1799	" (short)
10373	4783	" Carrier
10122	4782	" " Bracket
7958	1798	" " " Dowel Pin
130d	1797	" " " Screw
10123	1796	" " Crank
7958	1798	" " Pin
209F	1799	" " " Set Screw
10374	1799	" " Needle Guard
233d	1799	" " " " Screw ...
2077	1799	" " Pin
10127	4780	" " Pitman
378c	1797	" " " Hinge Screw (2)..
1520E	1798	" " " " Nut (2)
10130	1796	" " Shaft
10129	4781	" Driving Bell Crank with 1807
2d	1796	" " " " Hinge Screw
1807	1798	" " " " Roller and Stud
224F	1799	Looper Screw
10088	4780	Needle Bar
10089	4780	Needle Bar complete, Nos. 10088, 10096, 10108 and 10110
10091	1796	Needle Bar Connecting Link with two 390c
390c	1799	Needle Bar Connecting Link Adjust- ing Screw

No.	Plate	Name
29c	1797	Needle Bar Connecting Link Hinge Screw
7548	—	Needle Bar Connecting Stud
7448	1796	" " " " 7548 with 155c
155c	1798	Needle Bar Connecting Stud Set Screw
10557	4780	Needle Bar Frame
10099	4780	" " " Bell Crank with 1813
1813	1798	Needle Bar Frame Bell Crank Roller and Stud
307c	1797	Needle Bar Frame Bell Crank Screw Center (2)
1513E	1799	Needle Bar Frame Bell Crank Screw Center Nut (2)
10101	1796	Needle Bar Frame Cam with two 445c
445c	1799	" " " " Set Screw ..
10103	4780	" " " Connecting Rod with 390c
390c	1799	Needle Bar Frame Connecting Rod Adjusting Screw
10104	1798	Needle Bar Frame Connecting Rod Ball
147c	1797	Needle Bar Frame Connecting Rod Ball Screw
37E	1797	Needle Bar Frame Regulating Screw Stud
1514c	1799	Needle Bar Frame Regulating Screw Stud Nut
307c	1797	Needle Bar Frame Screw Center (lower)
306c	1797	Needle Bar Frame Screw Center (upper)
1513E	1799	Needle Bar Frame Screw Center Nut (2)
18876	—	Needle Bar Packing Cord (2)
290E	1797	" " Screw Bushing (2)
10093	1796	" " Thread Take-up with 10114
10094	1798	Needle Bar Thread Take-up Roller ..
10095	1798	" " " " " " Cap
233d	1799	" " " " " " " " Screw
10114	1798	Needle Bar Thread Take-up Roller Pin
209F	1799	Needle Bar Thread Take-up Set Screw
10096	1796	Needle Bar Thread Take-up complete, Nos. 209F, 233d and 10093 to 10095

No.	Plate	Name
10105	1798	Needle Clamp
10106	1798	" " Disc
10107	1798	" " Spring
93H	1799	" " " Screw
10108	1798	" " Gib
209F	1799	" " Set Screw
10109	1798	" " Thread Guide
665D	1797	" " " " Screw
10110	1798	Needle Clamp complete, Nos. 93H, 209F, 665D, 10105, 10107, 10109 and two 10106
10378	1799	Spreader (left) with 110c
10376	1799	" (right) with 110c
10382	1799	" Cam (left)
10381	1799	" " (right)
10383	1799	" " Adjusting Slide (2)
185H	1797	" " " " Screw (2)
228D	1799	" " Screw (2)
110c	1799	" Hinge Screw
10223	1799	" Spring
229D	1799	" " Screw
2102	1796	Tension (under thread) Disc (2) ...
1560c	1798	" " " " Regulating Thumb Nut
50021D	—	Tension (under thread) Screw Stud
10145	1798	" " " Thread Guide
10148	1798	" " " Spring
10144	4780	" (upper thread) and Spool Bracket
10146	—	Tension (upper thread) and Spool Bracket complete, Nos. 415D, 488D, 1560c, 2103, 8039, 10111, 10112, 10144, 10145 and two 2102
159D	1799	Tension (upper thread) and Spool Bracket Screw (2)
2102	1796	Tension (upper thread) Disc
1560c	1798	" " " " Regulating Thumb Nut
2103	1798	Tension (upper thread) Spring
415D	1797	" " " Stud
10145	1798	" " " Thread Guide
10150	1796	Thread (under) Cord Guide
333D	1799	" " " " Screw ..
10147	4780	" " Spool Bracket
159D	1799	" " " " Screw (2)
488D	4785	" " " Spindle, 3½ in. long
487D	4785	Thread (under) Spool Spindle, 4 in. long

No.	Plate	Name
10111	1798	Thread (under) Spool Spindle Inside Cone (2)
10112	1798	Thread (under) Spool Spindle Inside Cone Spring (2)
8064	—	Thread (under) Spool Spindle Out- side Cone
8039	1796	Thread (under) Spool Spindle Out- side Cone 8064 with 759F (2)
759F	1799	Thread (under) Spool Spindle Out- side Cone Thumb Screw
10149	1796	Thread (under) Take-up Spring
10145	1798	" " Thread Guide
10137	1796	" (upper) Nipper Arm
77D	1797	" " " " Hinge Screw
1821	1798	Thread (upper) Nipper Arm Roller and Stud
10139	4782	Thread (upper) Nipper Cam with 435c
3012	1798	Thread (upper) Nipper Cam Pin
435c	1797	" " " " Set Screw
8800	1798	" " " " Disc (2)
1645E	1797	" " " " Regulat- ing Thumb Nut
1547D	1799	Thread (upper) Nipper Disc Regulat- ing Thumb Nut Lock Nut
1153c	1797	Thread (upper) Nipper Disc Screw Stud
1547D	1799	Thread (upper) Nipper Disc Screw Stud Nut
10140	1796	Thread (upper) Nipper Lever
49F	1797	" " " " Screw
10141	1798	" " " " Spring
10142	1796	" " " " Link
488D	4785	" " Spool Spindle, 3½ in. long
10111	1798	Thread (upper) Spool Spindle Inside Cone
10112	1798	Thread (upper) Spool Spindle Inside Cone Spring
8064	—	Thread (upper) Spool Spindle Out- side Cone
8039	1796	Thread (upper) Spool Spindle Out- side Cone 8064 with 759F
759F	1799	Thread (upper) Spool Spindle Out- side Cone Thumb Screw
10151	1796	Thread (upper) Take-up Spring
236F	1799	" " " " Screw

ACCESSORIES

No.	Plate	Name
18872	—	Cutting Block (brass), 1½ inch
18874	—	" " " 1½ inch
18875	—	" " " 1½ inch
10242	4784	Driving and Stop Motion Lever Spring
5569	1796	Feed Wheel Brake Dog Spring
10881	4785	Knife, 2 inch
36569	—	Oiler with 36571
36570	—	" 36569, filled with oil
36571	—	" Spout, 1¾ in. long, with 36807 ..
36807	—	" " Washer (leather)
26026	4785	Screw Driver, Nos. 120088 and 120090
*120088	—	" " Blade
*120090	—	" " Handle
10223	1799	Spreader Spring (2)
10563	4781	Table Bracket Machine Holder (left) with four wood screws 1¼ in., No. 14, R.H.B.
10216	4781	Table Bracket Machine Holder (right) with 10116 and three wood screws 1¼ in., No. 14, R.H.B.
10116	1796	Table Bracket Machine Holder Pin
35143	4785	Tweezers, 4 in. long
10875	4780	Wrench, for 1518 and 1520
10876	4780	" " 357 and 1513
10877	4780	" " 10453
23 x 1	—	Needles, six, size 2

TABLE BELT GUIDE

10857	4780	Table Belt Guide Bracket with 448c
10858	4780	" " " " Shaft
10859	4780	" " " " " Pulley
448c	1799	" " " " " Set Screw
10856	4780	Table Belt Guide Bracket complete, Nos. 10857 to 10859 and three wood screws 1¼ in., No. 12, R.H.B.

CLAMP

FOR MILITARY WORK

No.	Plate	Name	
10763	4783	Clamp Arm (lower, left)	
10762	4783	" " (lower, right)	
10156	1796	" " (lower) Front Guide (left)	
10155	1796	Clamp Arm (lower) Front Guide (right)	
10157	1798	Clamp Arm (lower) Front Guide Dowel Pin	
	402D	1799	Clamp Arm (lower) Front Guide Screw
10159	1796	Clamp Arm (lower) Rear Guide (left)	
10161	1799	" " " " " " " Rivet	
10158	1796	Clamp Arm (lower) Rear Guide (right)	
10160	1798	Clamp Arm (lower) Rear Guide (right) Rivet	
18582	4783	Clamp Arm (upper, left) with 10248	
18581	4783	" " (upper, right) with 10248	
10834	4783	" " (upper) Adjusting Slide	
	247F	1799	" " " " " Screw
10248	1799	Clamp Arm (upper) Adjusting Slide Steady Pin	
10170	1796	Clamp Arm (upper) Connecting Yoke	
10171	1796	" " " " " " Link with two 220D	
	220D	1799	Clamp Arm (upper) Connecting Yoke Link Screw
10836	1798	Clamp Arm (upper) Dowel Pin	
10835	4783	" " " " Hinge	
10173	1799	" " " " Pin	
	192D	1797	" " " " Screw
10195	4785	" " " " Spring	
10174	1796	" " " " Spreader	
10843	4783	" " " " Lever	
	99E	1799	" " " " Hinge Screw
10176	1796	" " " " Link	
	105D	1799	" " " " Hinge Screw
	109D	1799	" " " " Screw
10767	4783	" Check (left)	
10766	4783	" " (right)	

Clamp

No.	Plate	Name
10157	1798	Clamp Check Hinge Pin
10177	1796	" Crank Shaft
10838	4783	" " " Bracket (left)
10837	4783	" " " " (right)
397E	1799	" " " " Screw (large)
223E	1799	" " " " " (small)
10839	4783	" " " Lever
10181	1799	" " " " Pin
10182	1796	" Guide Pin
10841	4783	" " " Lifter
103D	1799	" " " " Hinge Screw
10184	1796	" " " " Spring
233D	1799	" " " " " Screw
10842	4783	" " " " Stop
224D	1799	" " " " " Screw..
10845	4783	" " " Post
10768	4783	" Plate
10187	1799	" Thread Catch
10955	—	Clamp, 2 in., complete, Nos. 99E, 103D, 105D, 109D, 224D, 233D, 240D, 10155, 10156, 10158, 10159, 10170, 10171, 10174, 10176, 10177, 10181, 10182, 10184, 10187, 10762, 10763, 10766 to 10768, 10837 to 10839, 10841 to 10843, 10845, 18581, 18582, two each 192D, 223E, 247E, 397E, 402D, 10160, 10161, 10173, 10195, 10834, 10835, four each 10157 and 10836

OBSOLETE PARTS

No.	Plate	Name
10004	1796	Arm Shaft (horizontal) Gear with 453c
10007	4782	Arm Shaft (upright) Gear with 453c
18588	4781	Bed Plate, for 18590
10457	4781	" " with 10475 and two 621E, for 18590
18641	—	Bed Plate complete, Nos. 10024, 10637, 18589, 18640 and three 405E
18590	—	Bed Plate complete, Nos. 10024, 10457, 10637, 18589 and three 405E
10462	1798	Bed Plate Stud
18557	1796	Clamp Check Presser Spring, for 10769 and 10955
10092	4785	Driving and Stop Motion Tripping Lever complete, Nos. 10032, 10113, 10314 and two 10556
10314	4785	Driving and Stop Motion Tripping Lever with 10251 and 10257
10113	4785	Driving and Stop Motion Tripping Lever Handle Bar, for 10092
10475	1796	Eye Stop Substitute, for 10457
10885	4784	Feed Hand Ratchet Pawl with 10035, for 18591

NUMERICAL LIST OF PARTS

No.	Plate	Name
2D	1796	Feed Driving Bell Crank Lever Hinge Screw
2D	1796	Looper Driving Bell Crank Hinge Screw
29C	1797	Needle Bar Connecting Link Hinge Screw
37E	1797	Needle Bar Frame Regulating Screw Stud
38D	1797	Driving and Stop Motion Connecting Rod Head Hinge Screw
49F	1797	Thread (upper) Nipper Lever Screw
52C	1797	Driving and Stop Motion Starting Lever Hinge Screw
52C	1797	Feed Hand Ratchet Lever Hinge Screw
57C	1797	Driving and Stop Motion Connecting Rod Link Hinge Screw
63D	1797	Driving and Stop Motion Ratchet Lever Hinge Screw
71D	1797	Feed Shipper Lever Hinge Screw ..
72D	1799	Knife Holder Connecting Link Hinge Screw
77D	1797	Driving and Stop Motion Tripping Lever Hinge Screw
77D	1797	Thread (upper) Nipper Arm Hinge Screw
91F	1799	Barring Lever Clutch Lever Yielding Connection Guide Screw
93H	1799	Needle Clamp Disc Spring Screw, for 10110
99E	1799	Clamp Arm Spreader Lever Hinge Screw, for 10769 and 10955
100D	1799	Barring Lever Clutch Lever Hinge Screw
100D	1799	Driving and Stop Motion Ratchet Lever Pawl Hinge Screw
103D	1799	Clamp Guide Pin Lifter Hinge Screw, for 10769 and 10955
105D	1799	Clamp Arm Spreader Link Hinge Screw, for 10769 and 10955
106D	1799	Barring Lever Clutch Lever Yielding Connection Hinge Screw
106D	1799	Driving and Stop Motion Tripping Lever Catch Hinge Screw

From the Library of Diamond Needle Corp.

No.	Plate	Name
109D	1799	Clamp Arm Spreader Screw, for 10769 and 10955
110C	1799	Spreader Hinge Screw, for 10376 and 10378
118E	1797	Arm Screw
124E	1797	Driving and Stop Motion Lever Adjusting Screw
129E	1797	Feed Wheel Driving Lever Adjusting Screw, for 18563
130D	1797	Looper Carrier Bracket Screw
144D	1797	Arm Shaft (horizontal) Screw
147C	1797	Needle Bar Frame Connecting Rod Ball Screw
150D	1797	Driving and Stop Motion Lever Screw
155C	1798	Needle Bar Connecting Stud Set Screw, for 7448
159F	1799	Cutting Block Arm Ratchet Wheel Retaining Spring Latch Screw ..
159D	1799	Driving and Stop Motion Lever Spring Screw
159D	1799	Tension (upper thread) and Spool Bracket Screw
159D	1799	Thread (under) Spool Bracket Screw
176D	1799	Barring Lever Cap Screw
176D	1799	Clamp Arm (upper) Screw, for 10769
176D	1799	Face Plate Screw
176D	1799	Feed Regulator Screw
176D	1799	" Releasing Lever Adjusting Screw
185H	1797	Spreader Cam Adjusting Slide Screw
192D	1797	Clamp Arm (upper) Screw, for 10955
196D	1797	Driving and Stop Motion Ratchet Lever Adjusting Screw
209F	1799	Knife Set Screw, for 10730
209F	1799	Looper Carrier Crank Set Screw ..
209F	1799	Needle Bar Thread Take-up Set Screw, for 10096
209F	1799	Needle Clamp Set Screw, for 10110
214D	1797	Bed Plate Button Slide Connection Stop Screw
217F	1799	Barring Lever Clutch Adjusting Screw
220D	1799	Clamp Arm (upper) Connecting Yoke Link Screw, for 10171
223E	1799	Clamp Crank Shaft Bracket Screw (small), for 10769 and 10955
224D	1799	Clamp Guide Pin Lifter Stop Screw, for 10955
224F	1799	Looper Screw

No.	Plate	Name
228D	1799	Spreader Cam Screw
229D	1799	" Spring Screw
231C	1797	Bed Plate Clamp Stop Screw, for 18815
233D	1799	Barring Lever Clutch Lever Yielding Connection Spring Screw
233D	1799	Clamp Guide Pin Lifter Spring Screw, for 10769 and 10955
233D	1799	Driving and Stop Motion Tripping Lever Catch Spring Screw
233D	1799	Looper Carrier Needle Guard Screw
233D	1799	Needle Bar Thread Take-up Roller Cap Screw, for 10096
236F	1799	Driving and Stop Motion Ratchet Lever Pawl Spring Screw
236F	1799	Thread (upper) Take-up Spring Screw
240D	1799	Clamp Thread Catch Screw, for 10769 and 10955
247F	1799	Clamp Arm (upper) Adjusting Slide Screw, for 10769 and 10955
290E	1797	Needle Bar Screw Bushing
293C	4784	Knife Holder Lifting Rock Shaft Screw Center
304C	1797	Cutting Block Arm Screw Center ..
306C	1797	Needle Bar Frame Screw Center (upper)
307C	1797	Needle Bar Frame Bell Crank Screw Center
307C	1797	Needle Bar Frame Screw Center (lower)
333D	1799	Thread (under) Cord Guide Screw..
355D	1797	Driving and Stop Motion Lever Bracket Screw
357F	1797	Feed Wheel Driving Lever Block Adjusting Screw
378C	1797	Looper Carrier Pitman Hinge Screw
389F	1799	Bed Plate Screw
390C	1799	Needle Bar Connecting Link Adjusting Screw, for 10091
390C	1799	Needle Bar Frame Connecting Rod Adjusting Screw, for 10103
397E	1799	Clamp Crank Shaft Bracket Screw (large), for 10769 and 10955
399F	1799	Bed Plate Clamp Guide Slide Guide Screw, for 10024
401E	1799	Driving and Stop Motion Lever Friction Pad Screw

Numerical List of Parts

No.	Plate	Name
402D	1799	Clamp Arm (lower) Front Guide Screw, for 10769 and 10955
405E	1799	Bed Plate Button Screw, for 18590, 18641 and 18816
405E	1799	Bed Plate Protector Screw, for 18590, 18640, 18641 and 18816
415D	1797	Tension (upper thread) Stud, for 10146
429C	1797	Feed Wheel Driving Lever Supporting Screw
430C	1797	Feed Wheel Friction Block Spring Adjusting Screw
435C	1797	Thread (upper) Nipper Cam Set Screw, for 10139
444F	1799	Cutting Block Set Screw
445C	1799	Driving and Stop Motion Balance Wheel Set Screw, for 10229
445C	1799	Feed and Looper Cam Set Screw, for 10370
445C	1799	Needle Bar Frame Cam Set Screw, for 10101
448C	1799	Table Belt Guide Bracket Shaft Set Screw, for 10857
450C	1799	Knife Holder Hinge Pin Set Screw
453C	1799	Arm Shaft (horizontal) Gear Set Screw, for 10004 and 18820
453C	1799	Arm Shaft (upright) Gear Set Screw, for 10007 and 18821
453C	1799	Knife Holder Adjusting Collar Set Screw, for 10552
487D	4785	Thread (under) Spool Spindle, 4 in. long
488D	4785	Thread (under) Spool Spindle, 3½ in. long
488D	4785	Thread (upper) Spool Spindle, 3½ in. long, for 10146
665D	1797	Needle Clamp Thread Guide Screw, for 10110
759F	1799	Thread (under) Spool Spindle Outside Cone Thumb Screw, for 8039
759F	1799	Thread (upper) Spool Spindle Outside Cone Thumb Screw, for 8039
771D	1797	Arm Side Plate Thumb Screw, for 10892
1071C	1797	Eye Stop Adjusting Screw
1153C	1797	Thread (upper) Nipper Disc Screw Stud
1501E	4784	Knife Holder Lifting Rock Shaft Screw Center Nut

Numerical List of Parts

No.	Plate	Name
1513E	1799	Cutting Block Arm Screw Center Nut
1513E	1799	Feed Wheel Driving Lever Supporting Screw Nut
1513E	1799	Needle Bar Frame Bell Crank Screw Center Nut
1513E	1799	Needle Bar Frame Screw Center Nut
1514C	1799	" " " Regulating Screw Stud Nut
1518E	1799	Driving and Stop Motion Lever Adjusting Screw Nut
1518E	1799	Eye Stop Adjusting Screw Nut
1520E	1798	Feed Wheel Driving Lever Block Adjusting Screw Nut
1520E	1798	Feed Wheel Friction Block Spring Adjusting Screw Nut
1520E	1798	Looper Carrier Pitman Hinge Screw Nut
1547D	1799	Thread (upper) Nipper Disc Regulating Thumb Nut Lock Nut
1547D	1799	Thread (upper) Nipper Disc Screw Stud Nut
1560C	1798	Tension (under thread) Regulating Thumb Nut
1560C	1798	Tension (upper thread) Regulating Thumb Nut, for 10146
1645E	1797	Tension (upper) Nipper Disc Regulating Thumb Nut
1805	1798	Feed Driving Bell Crank Lever Roller and Stud, for 10028
1807	1798	Looper Driving Bell Crank Roller and Stud, for 10129
1813	1798	Needle Bar Frame Bell Crank Roller and Stud, for 10099
1814	1798	Feed Shipper Lever Roller and Stud, for 10950
1821	1798	Thread (upper) Nipper Arm Roller and Stud
1823	1799	Driving and Stop Motion Ratchet Lever Roller and Stud, for 10245
1827	1798	Bed Plate Clamp Guide Slide Roller and Stud, for 10020
1900	1797	Feed Shipper Lever Releasing Roller and Stud, for 10950
2077	1799	Looper Carrier Pin
2102	1796	Tension (under thread) Disc
2102	1796	" (upper thread) Disc, for 10146
2103	1798	" " " Spring, for 10146
2117	1798	Arm Shaft (horizontal) Gear Pin ..
2117	1798	" " (upright) Gear Pin

Numerical List of Parts

No.	Plate	Name
3012	1798	Thread (upper) Nipper Cam Pin ..
5569	1796	Driving and Stop Motion Ratchet Lever Spring
5569	1796	Feed Hand Ratchet Pawl Spring ..
5569	1796	" Wheel Brake Dog Spring
6312	1799	Driving and Stop Motion Lever Spring Screw Washer
7448	1796	Needle Bar Connecting Stud 7548 with 155c
7548	—	Needle Bar Connecting Stud, for 7448
7958	1798	Looper Carrier Bracket Dowel Pin ..
7958	1798	" " Crank Pin
8039	1796	Thread (under) Spool Spindle Out- side Cone 8064 with 759F
8039	1796	Thread (upper) Spool Spindle Out- side Cone 8064 with 759F, for 10146
8064	—	Thread (under) Spool Spindle Out- side Cone, for 8039
8064	—	Thread (upper) Spool Spindle Out- side Cone, for 8039
8582	1798	Arm Dowel Pin
8734	1796	Feed Wheel Driving Lever Spring ..
8800	1798	Thread (upper) Nipper Disc
9263	1799	Driving and Stop Motion Lever Bracket Screw Washer
10002	4781	Arm Shaft (horizontal)
10004	1796	" " " Gear with 453c (obsolete)
10005	4781	Arm Shaft (upright)
10007	4782	" " " Gear with 453c (obsolete)
10008	—	Arm Side Plate, for 10892
Nos. 10020 to 10023, for 10024.		
10020	1796	Bed Plate Clamp Guide Slide with 1827
10021	1796	Bed Plate Clamp Guide Slide Guide
10022	1798	" " " " " Spring Stop Stud
10023	1796	Bed Plate Clamp Guide Slide Spring
10024	1796	Bed Plate Clamp Guide complete, Nos. 10020, 10022, 10023, two 10021 and four 399F, for 18590, 18641 and 18816
10026	4780	Face Plate
10028	4781	Feed Driving Bell Crank Lever with 1805
10032	1796	Driving and Stop Motion Tripping Lever Handle, for 10092 and 18819

Numerical List of Parts

No.	Plate	Name
10034	1798	Feed Hand Ratchet Pawl Hinge Stud, for 18591
10035	1798	Feed Hand Ratchet Pawl Spring Hook, for 10885
10035	1798	Feed Wheel Brake Dog Spring Hook
10041	1796	" Regulator (long)
10059	1796	" Wheel Brake Dog with 10060 ..
10060	1798	" " " " Stud, for 10059
10061	4785	" Hand Ratchet Pawl Spring Pin, for Bed
10061	4785	Feed Wheel Driving Lever Spring Pin
10063	1796	" " " " Block
10088	4780	Needle Bar, for 10089
10089	4780	Needle Bar complete, Nos. 10088, 10096, 10108 and 10110
10091	1796	Needle Bar Connecting Link with two 390c
10092	4785	Driving and Stop Motion Tripping Lever complete, Nos. 10032, 10113, 10314 and two 10556 (obsolete) ..
Nos. 10093 to 10095, for 10096.		
10093	1796	Needle Bar Thread Take-up with 10114
10094	1798	Needle Bar Thread Take-up Roller ..
10095	1798	" " " " " Cap
10096	1796	Needle Bar Thread Take-up complete, Nos. 209F, 233D and 10093 to 10095, for 10089
10099	4780	Needle Bar Frame Bell Crank with 1813
10101	1796	Needle Bar Frame Cam with two 445c
10103	4780	" " " Connecting Rod with 390c
10104	1798	Needle Bar Frame Connecting Rod Ball
Nos. 10105 to 10107, for 10110.		
10105	1798	Needle Clamp
10106	1798	" " Disc
10107	1798	" " " Spring
10108	1798	" " Gib, for 10089
10109	1798	" " Thread Guide, for 10110
10110	1798	Needle Clamp complete, Nos. 93H, 209F, 665D, 10105, 10107, 10109 and two 10106, for 10089
10111	1798	Thread (under) Spool Spindle Inside Cone

Numerical List of Parts

No.	Plate	Name
10111	1798	Thread (upper) Spool Spindle Inside Cone, for 10146
10112	1798	Thread (under) Spool Spindle Inside Cone Spring
10112	1798	Thread (upper) Spool Spindle Inside Cone Spring, for 10146
10113	4785	Driving and Stop Motion Tripping Lever Handle Bar (obsolete), for 10092
10114	1798	Needle Bar Thread Take-up Roller Pin, for 10093
10116	1796	Table Bracket Machine Holder Pin, for 10216
10122	4782	Looper Carrier Bracket
10123	1796	" " Crank
10127	4780	" " Pitman
10129	4781	" Driving Bell Crank with 1807
10130	1796	" Carrier Shaft
10136	1798	Bed Plate Button Slide Connection Spring Hook, for 10307
10137	1796	Thread (upper) Nipper Arm
10139	4782	" " " Cam with 435c
10140	1796	" " " Lever
10141	1798	" " " " Spring
10142	1796	" " " Link
10144	4780	Tension (upper thread) and Spool Bracket, for 10146
10145	1798	Tension (under thread) Thread Guide
10145	1798	" (upper thread) Thread Guide, for 10146
10145	1798	Thread (under) Thread Guide
10146	—	Tension (upper thread) and Spool Bracket complete, Nos. 415D, 488D, 1560c, 2103, 8039, 10111, 10112, 10144, 10145 and two 2102
10147	4780	Thread (under) Spool Bracket
10148	1798	Tension (under thread) Spring
10149	1796	Thread (under) Take-up Spring
10150	1796	" " Cord Guide
10151	1796	" (upper) Take-up Spring
10152	1798	Face Plate Thread Guide
Nos. 10155 to 10161, for 10769 and 10955.		
10155	1796	Clamp Arm (lower) Front Guide (right)
10156	1796	Clamp Arm (lower) Front Guide (left)
10157	1798	Clamp Arm (lower) Front Guide Dowel Pin

Numerical List of Parts

No.	Plate	Name
10157	1798	Clamp Check Hinge Pin
10157	1798	" Guide Pin Lifter Stop Pin
10158	1796	" Arm (lower) Rear Guide (right)
10159	1796	" " " " " (left) ..
10160	1798	" " " " " (right) Rivet
10161	1799	Clamp Arm (lower) Rear Guide (left) Rivet
10164	1796	Clamp Arm (upper) Adjusting Slide, for 10769
10165	1798	Clamp Arm (upper) Adjusting Slide Steady Pin, for 10764 and 10765 ..
Nos. 10170 to 10174, for 10769.		
10170	1796	Clamp Arm (upper) Connecting Yoke; also for 10955
10171	1796	Clamp Arm (upper) Connecting Yoke Link with two 220D; also for 10955
10172	1796	Clamp Arm (upper) Hinge
10173	1799	" " " " Pin; also for 10955
10174	1796	Clamp Arm Spreader; also for 10955
Nos. 10176 to 10185, for 10769.		
10176	1796	Clamp Arm Spreader Link; also for 10955
10177	1796	Clamp Crank Shaft; also for 10955
10178	4785	" " " Bracket (right)
10179	4785	" " " " (left) ..
10180	1796	" " " Lever
10181	1799	" " " " Pin; also for 10955
10182	1796	Clamp Guide Pin; also for 10955 ...
10183	1796	" " " Lifter
10184	1796	" " " Spring; also for 10955
10185	1796	Clamp Guide Pin Post
10187	1799	" Thread Catch, for 10769 and 10955
10195	4785	Clamp Arm (upper) Spring, for 10769 and 10955
10216	4781	Table Bracket Machine Holder (right) with 10116 and three wood screws 1½ in., No. 14, R.H.B.
10217	4782	Barring Lever
10218	4784	" " Cap
10219	4784	" " Clutch
10220	4784	" " " Lever

No.	Plate	Name
10222	4784	Barring Lever Clutch Lever Yielding Connection with 10251
10223	1799	Barring Lever Clutch Lever Yielding Connection Spring
10223	1799	Driving and Stop Motion Tripping Lever Catch Spring
10223	1799	Spreader Spring
10229	4781	Driving and Stop Motion Balance Wheel with two 445c
10230	4782	Driving and Stop Motion Connecting Rod, for 10232
10231	4784	Driving and Stop Motion Connecting Rod Head, for 10232
10232	—	Driving and Stop Motion Connecting Rod 10230 with 10231
10233	4784	Driving and Stop Motion Connecting Rod Link
10235	4781	Driving and Stop Motion Friction Pulley with 10236
10236	4784	Driving and Stop Motion Friction Pulley Center Bearing, for 10235 ..
10238	4781	Driving and Stop Motion Friction Pulley Washer (paper)
10239	4781	Driving and Stop Motion Lever with 10556
10240	4781	Driving and Stop Motion Lever Bracket
10241	4785	Driving and Stop Motion Lever Friction Pad (leather)
10242	4784	Driving and Stop Motion Lever Spring
10243	4783	" " " " " Screw Washer
10245	4784	Driving and Stop Motion Ratchet Lever with 1823 and 10251
10247	4784	Driving and Stop Motion Ratchet Lever Pawl with 10248
10248	1799	Clamp Arm (upper) Adjusting Slide Steady Pin, for 18581 and 18582 ..
10248	1799	Driving and Stop Motion Ratchet Lever Pawl Pin, for 10247
10249	4784	Driving and Stop Motion Ratchet Lever Pawl Spring
10251	1799	Barring Lever Clutch Lever Yielding Connection Spring Hook, for 10222
10251	1799	Driving and Stop Motion Ratchet Lever Spring Hook, for 10245 and 10314
10255	4784	Driving and Stop Motion Tripping Lever Catch

No.	Plate	Name
10256	4784	Driving and Stop Motion Tripping Lever Spring
10257	1799	Driving and Stop Motion Tripping Lever Spring Pin, for 10314 and 18817
10261	4785	Feed Hand Ratchet Lever, for 18591
10262	4785	" " " " Handle, for 18591
10307	4782	Bed Plate Button Slide Connection with 10136
10309	1798	Bed Plate Button Slide Connection Spring
10314	4785	Driving and Stop Motion Tripping Lever with 10251 and 10257 (obsolete), for 10092
10370	4781	Feed and Looper Cam with two 445c
10371	1799	Looper (long)
10372	1799	" (short)
10373	4783	" Carrier
10374	1799	" " Needle Guard
10376	1799	Spreader (right) with 110c
10378	1799	" (left) with 110c
10381	1799	" Cam (right)
10382	1799	" " (left)
10383	1799	" " Adjusting Slide
10452	4781	Cutting Block Arm
10453	4785	" " " Ratchet Wheel..
10454	4785	" " " " " Re- taining Spring Latch
10455	4782	Cutting Block Arm Spring
10457	4781	Bed Plate with 10475 and two 621E (obsolete), for 18590
10461	1798	Bed Plate Dowel Pin
10462	1798	" " Stud (obsolete)
10475	1796	Eye Stop Substitute (obsolete), for 10457
10552	4785	Knife Holder Adjusting Collar with 453c
10554	1798	Knife Holder Connecting Link Pin
10555	4782	" " Hinge Pin
10556	4785	Driving and Stop Motion Lever Spring Pin, for 10239
10556	4785	Driving and Stop Motion Tripping Lever Handle Bar Rivet, for 10092 and 18819
10556	4785	Knife Position Pin, for 10730
10557	4780	Needle Bar Frame
10558	1796	Feed Regulator (reverse)
10562	1798	Knife Holder Lifting Rock Shaft Connecting Link Pin

Numerical List of Parts

No.	Plate	Name
10563	4781	Table Bracket Machine Holder (left) with four wood screws 1¼ in., No. 14, R.H.B.
10582	4782	Driving and Stop Motion Starting Lever
10637	4784	Bed Plate Button, for 18590, 18641 and 18816
10730	4784	Knife Holder with 209F and two 10556
Nos. 10762 to 10768, for 10769.		
10762	4783	Clamp Arm (lower, right); also for 10955
10763	4783	Clamp Arm (lower, left); also for 10955
10764	4783	Clamp Arm (upper, right) with 10165
10765	4783	" " (upper, left) with 10165
10766	4783	" Check (right); also for 10955
10767	4783	" " (left); also for 10955 ..
10768	4783	" Plate; also for 10955
10769	—	Clamp, 2 in., complete, Nos. 99E, 103D, 105D, 109D, 233D, 240D, 10155, 10156, 10158, 10159, 10170, 10171, 10174, 10176 to 10185, 10187, 10762 to 10768, 10821, two each 176D, 223E, 247F, 397E, 402D, 10160, 10161, 10164, 10172, 10173, 10195 and five 10157
10770	4784	Eye Stop
10772	4784	Feed Wheel Friction Block
10773	—	" " Latch, 2 in., for 10800 ..
10800	—	" " with 10773, for 2 in. buttonhole
10821	4782	Clamp Arm Spreader Lever, for 10769
Nos. 10834 to 10839, for 10955.		
10834	4783	Clamp Arm (upper) Adjusting Slide
10835	4783	" " " Hinge
10836	1798	" " " Dowel Pin
10837	4783	" Crank Shaft Bracket (right) ..
10838	4783	" " " (left)
10839	4783	" " " Lever
Nos. 10841 to 10843, for 10955.		
10841	4783	Clamp Guide Pin Lifter
10842	4783	" " " " Stop
10843	4783	" Arm Spreader Lever
10845	4783	" Guide Pin Post, for 10955
10856	4780	Table Belt Guide Bracket complete, Nos. 10857 to 10859 and three wood screws 1¼ in., No. 12, R.H.B.

Numerical List of Parts

No.	Plate	Name
10857	4780	Table Belt Guide Bracket with 448C
10858	4780	" " " " Shaft
10859	4780	" " " " " Pulley
10875	4780	Wrench, for 1518 and 1520
10876	4780	" " 357 and 1513
10877	4780	" " 10453
10880	4785	Cutting Block (brass), 2 inch
10881	4785	Knife, 2 inch
10882	—	" 2 in. (small size eye)
10883	4784	" Holder Connecting Link
10884	4784	" " Lifting Rock Shaft Connecting Link
10885	4784	Feed Hand Ratchet Pawl with 10035 (obsolete)
*10892	—	Arm with 771D and 10008
*10894	—	Bed
10947	4785	Feed Releasing Lever with 10948 and two 18587
10948	4785	Feed Releasing Lever Packing, for 10947
10950	4785	Feed Shipper Lever with 1814 and 1900
10955	—	Clamp, 2 in., complete, Nos. 99E, 103D, 105D, 109D, 224D, 233D, 240D, 10155, 10156, 10158, 10159, 10170, 10171, 10174, 10176, 10177, 10181, 10182, 10184, 10187, 10762, 10763, 10766 to 10768, 10837 to 10839, 10841 to 10843, 10845, 18581, 18582, two each 192D, 223E, 247F, 397E, 402D, 10160, 10161, 10173, 10195, 10834, 10835, four each 10157 and 10836
18557	1796	Clamp Check Presser Spring (obsolete), for 10769 and 10955
18563	4780	Feed Wheel Driving Lever with 129E
18579	4784	" " Friction Block Spring ..
18581	4783	Clamp Arm (upper, right) with 10248, for 10955
18582	4783	Clamp Arm (upper, left) with 10248, for 10955
18587	1799	Feed Releasing Lever Packing Rivet, for 10947
18588	4781	Bed Plate (obsolete)
18589	4784	" " Button Slide, for 18590, 18641 and 18816
18590	—	Bed Plate complete, Nos. 10024, 10457, 10637, 18589 and three 405E (obsolete)
18591	—	Feed Hand Ratchet complete, Nos. 10034, 10261, 10262 and 18792 ...

Numerical List of Parts

No.	Plate	Name
18620	4783	Bed Plate Protector (left), for $\frac{1}{2}$ to 1 in. and 2 in. buttonholes, for 18640
18621	4783	Bed Plate Protector (right), for $\frac{1}{2}$ to 1 in. and 2 in. buttonholes, for 18640
18640	4781	Bed Plate with 18620, 18621 and four 405E, for 18641 and 18815
18641	—	Bed Plate complete, Nos. 10024, 10637, 18589, 18640 and three 405E (obsolete)
18752	1798	Bed Plate Clamp Stop Stud, for 18797 and 18798
18791	1799	Feed Hand Ratchet Pawl Spring Hook, for 18792
18792	4784	Feed Hand Ratchet Pawl with 18791, for 18591
18797	4784	Bed Plate Clamp Stop (left) with 18752, for 18815
18798	4784	Bed Plate Clamp Stop (right) with 18752, for 18815
18815	—	Bed Plate 18640 with 18797, 18798 and four 231c, for 18816
18816	—	Bed Plate complete, Nos. 10024, 10637, 18589, 18815 and three 405E
18817	4784	Driving and Stop Motion Tripping Lever with two 10257, for 18819
18818	4784	Driving and Stop Motion Tripping Lever Handle Bar, for 18819
18819	4784	Driving and Stop Motion Tripping Lever complete, Nos. 10032, 18817, 18818 and four 10556
18820	4784	Arm Shaft (horizontal) Gear with 453c
18821	4784	Arm Shaft (upright) Gear with 453c
18870	—	Knife Holder Lifting Rock Shaft ..
18872	—	Cutting Block (brass), $1\frac{1}{4}$ inch
18874	—	" " " $1\frac{1}{2}$ inch
18875	—	" " " $1\frac{3}{4}$ inch
18876	—	Needle Bar Packing Cord
26026	4785	Screw Driver, Nos. 120088 and 120090
35143	4785	Tweezers, 4 in. long
36569	—	Oiler with 36571, for 36570
36570	—	" 36569, filled with oil
36571	—	" Spout, $1\frac{3}{4}$ in. long, with 36807, for 36569
36807	—	Oiler Spout Washer (leather), for 36571
50021D	—	Tension (under thread) Screw Stud
*120088	—	Screw Driver Blade, for 26026
*120090	—	" " Handle, for 26026

ILLUSTRATIONS OF PARTS
FOR
MACHINE No. 23-20

PLATE 1796—ONE-HALF SIZE

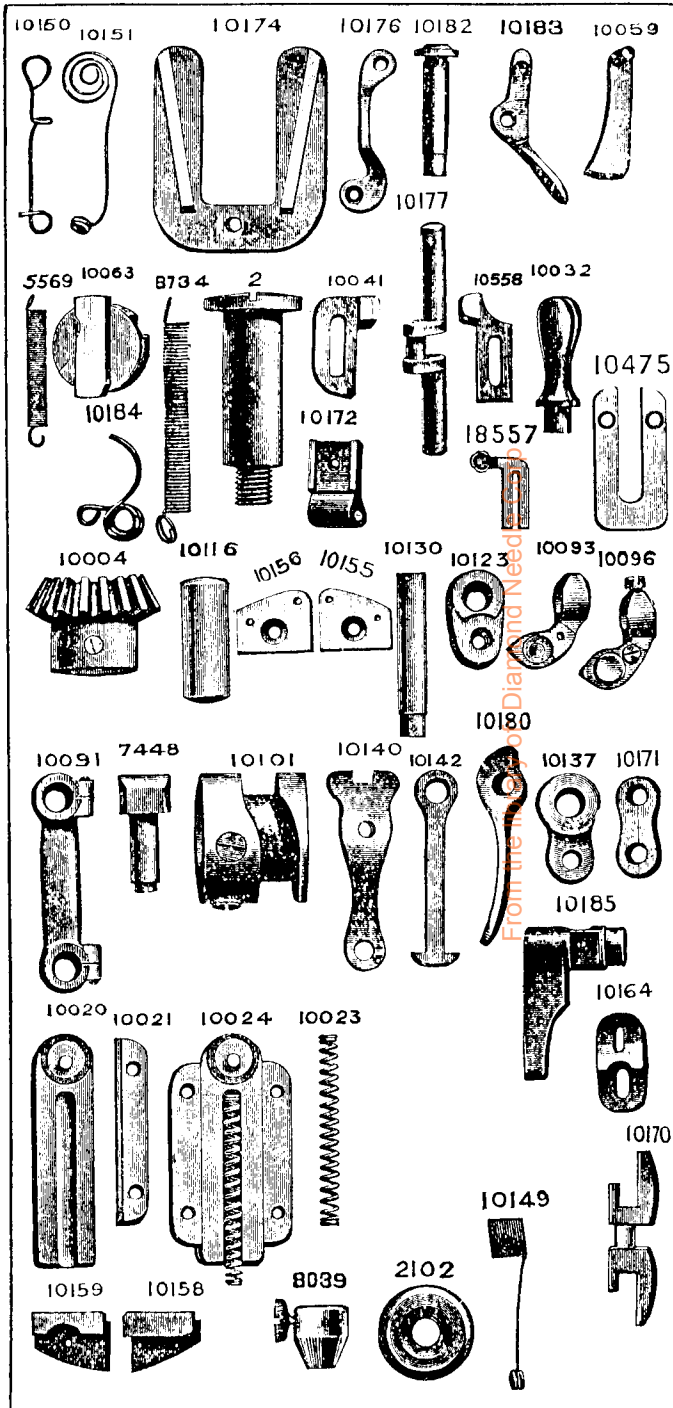


PLATE 1797—FULL SIZE

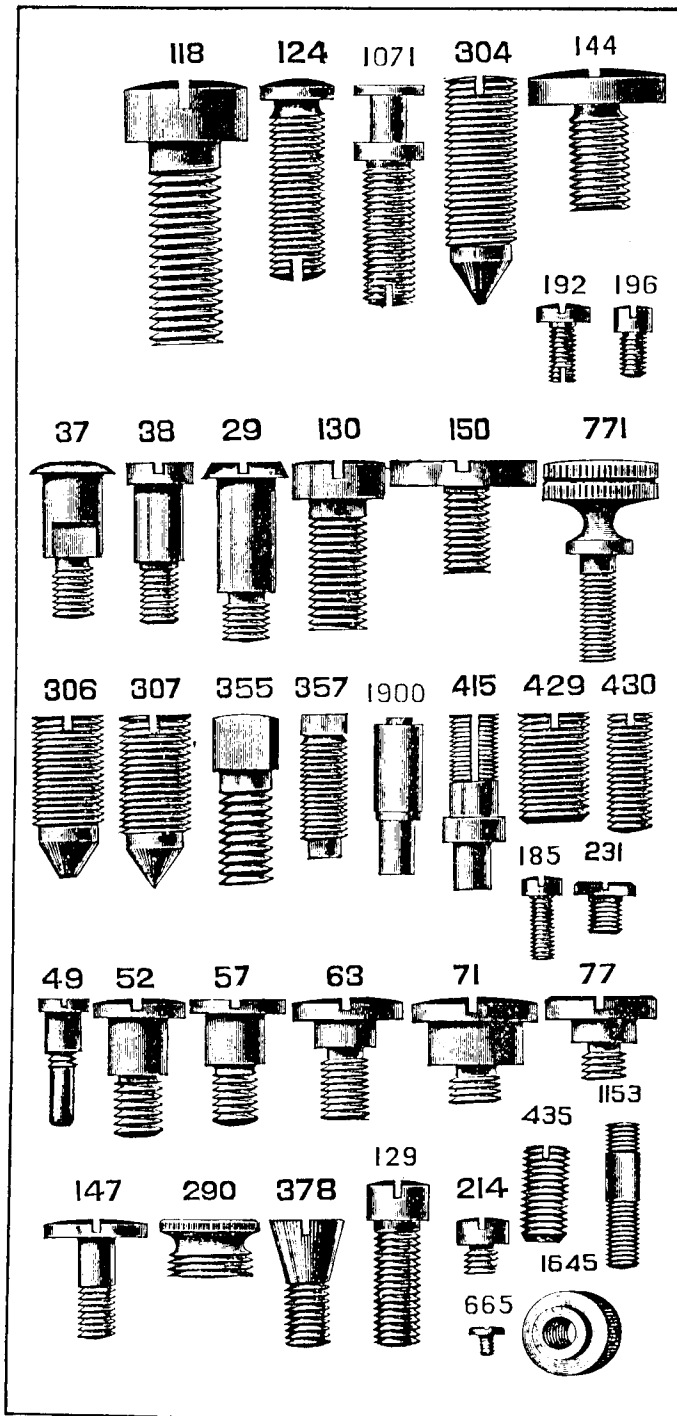


PLATE 1798—FULL SIZE

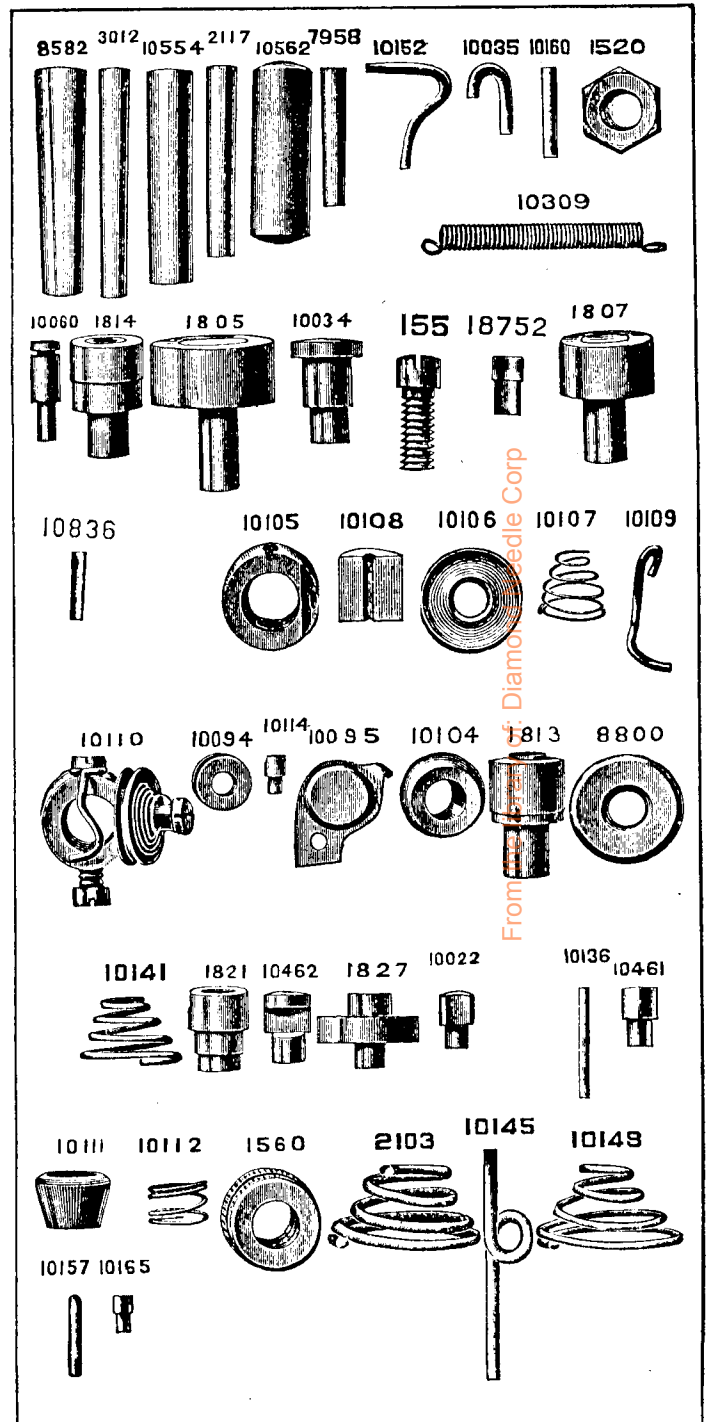


PLATE 1799—FULL SIZE

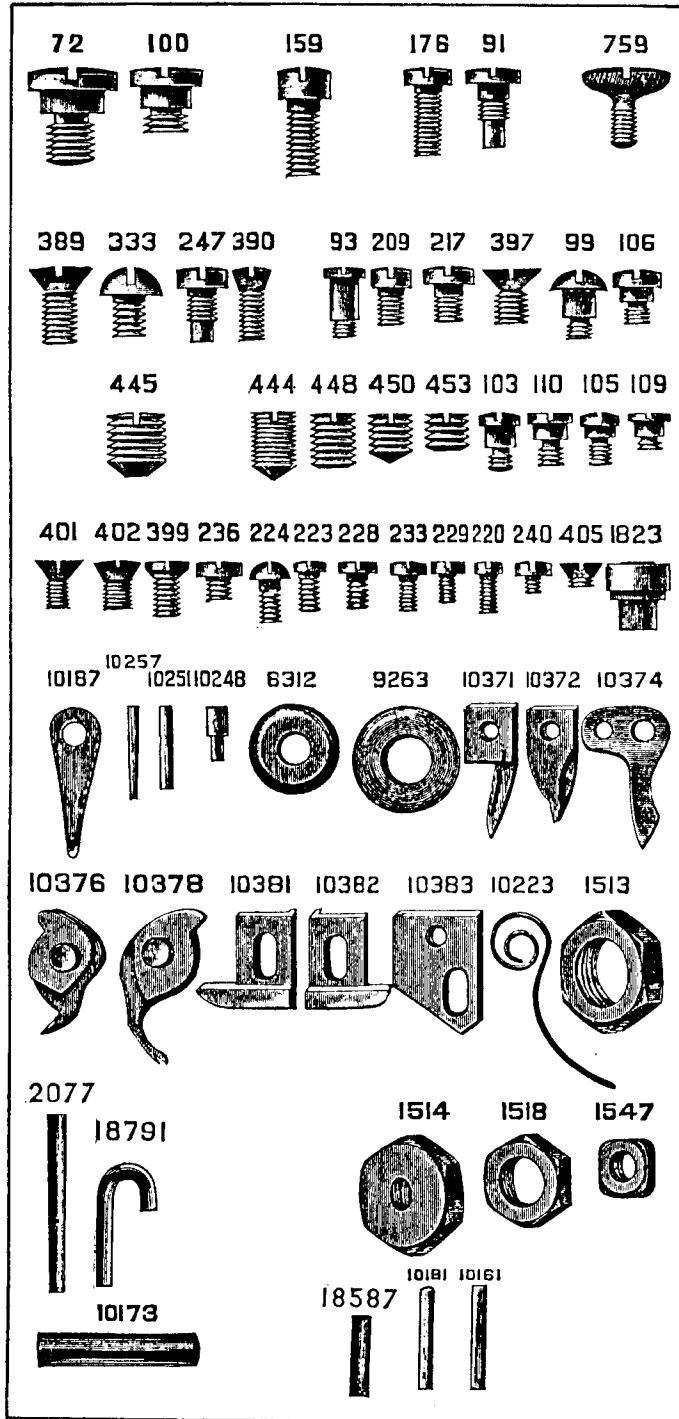


PLATE 4780—ONE-FOURTH SIZE

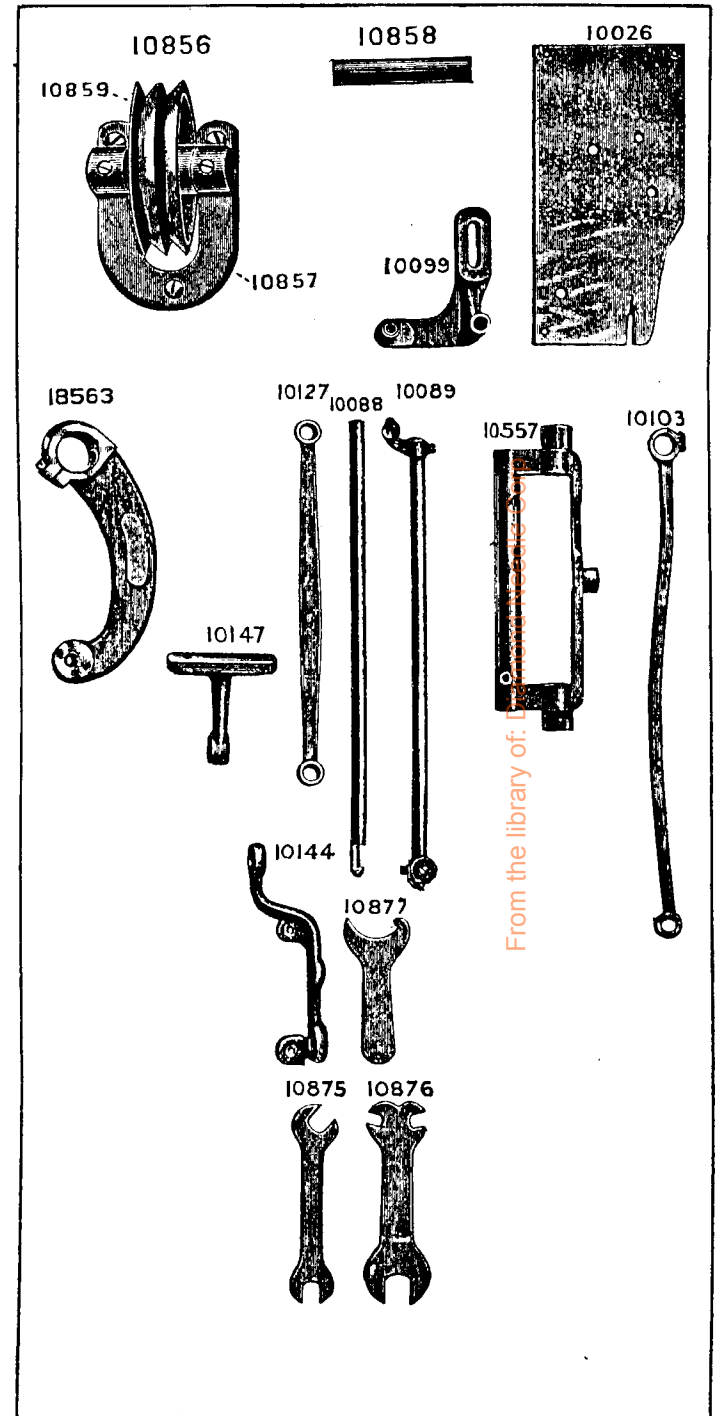


PLATE 4781—ONE-SIXTH SIZE

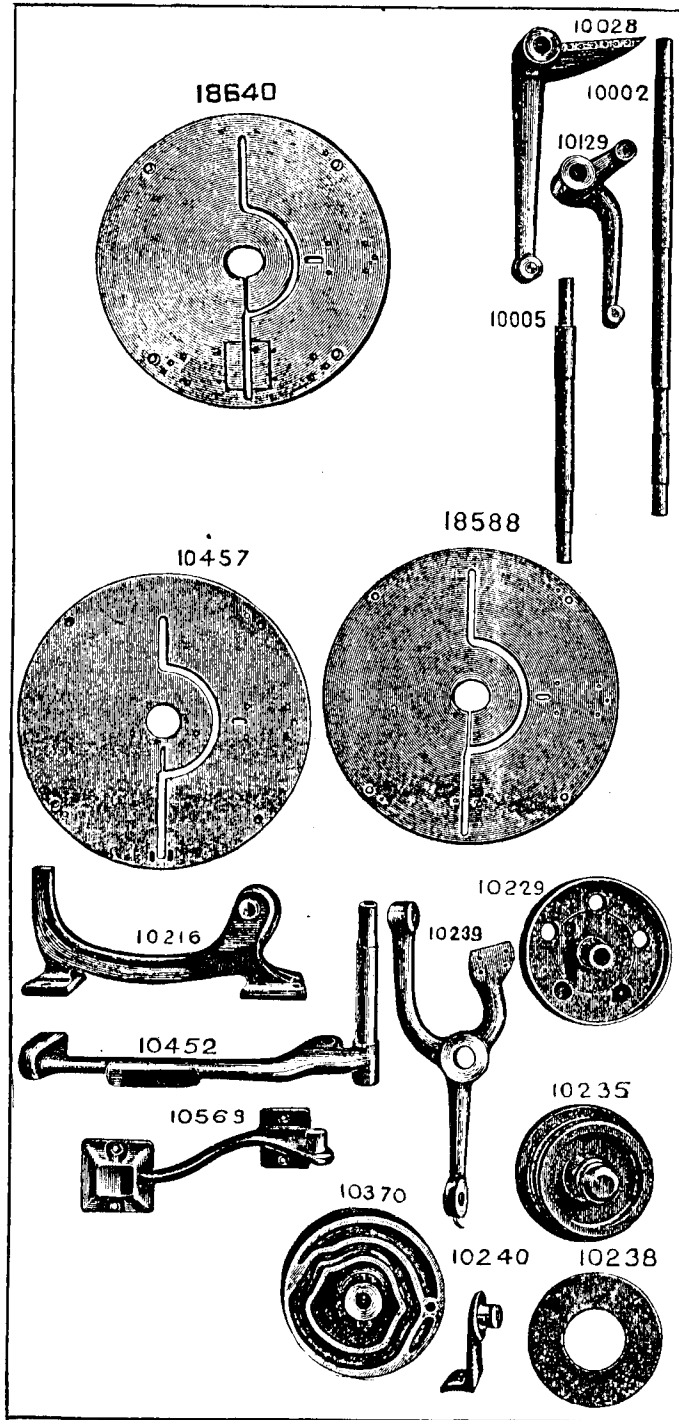
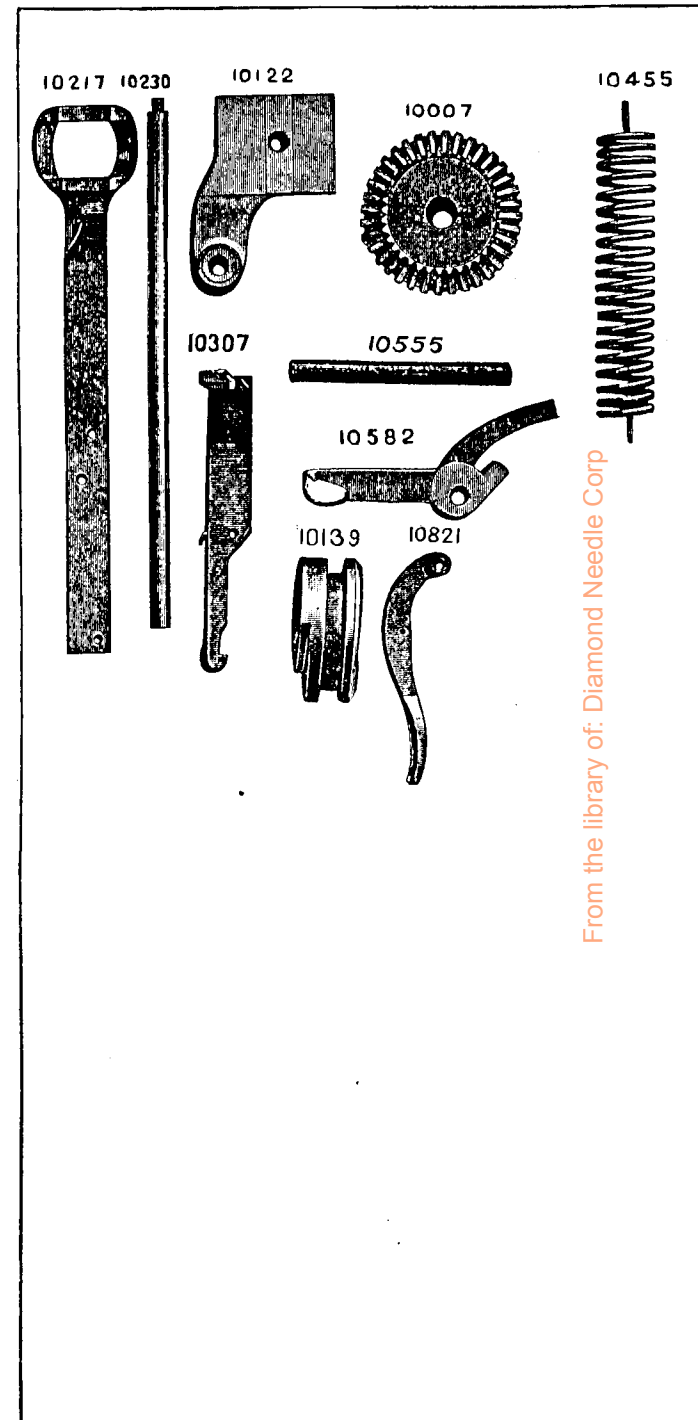


PLATE 4782—ONE-THIRD SIZE



From the library of: Diamond Needle Corp

PLATE 4783—ONE-HALF SIZE

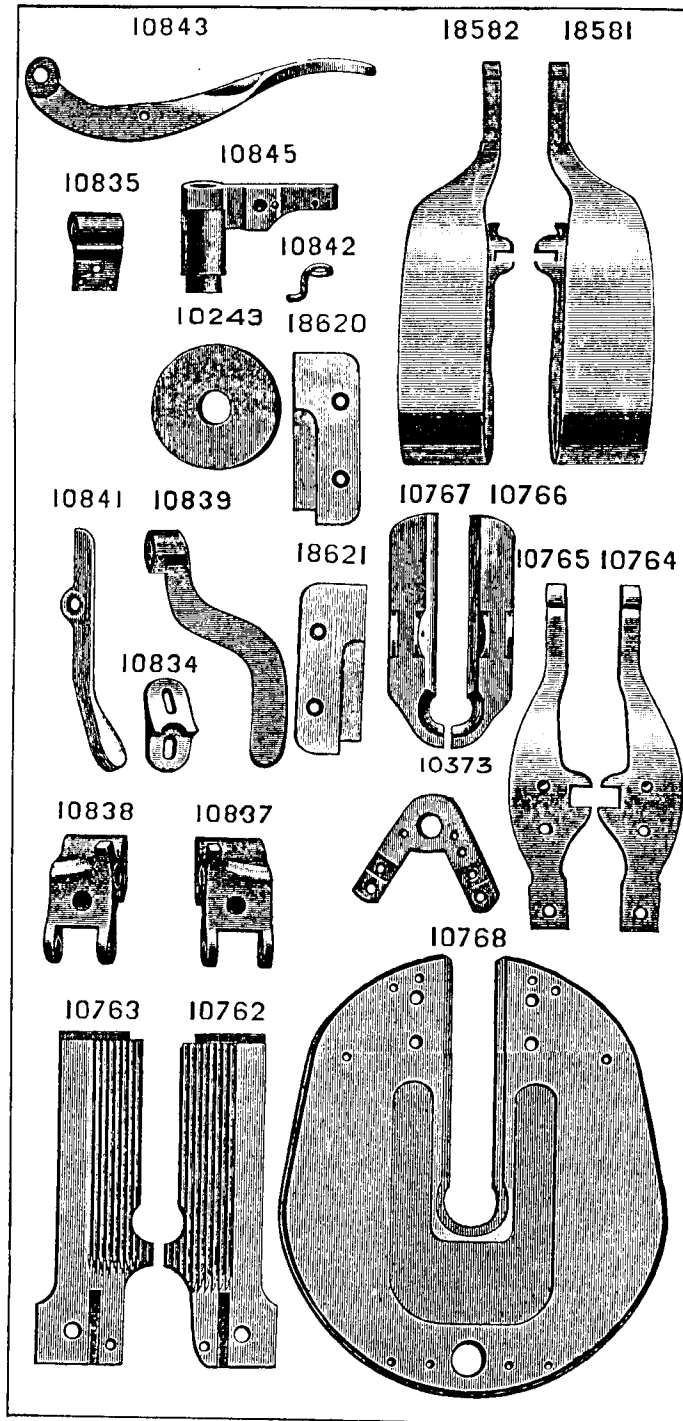
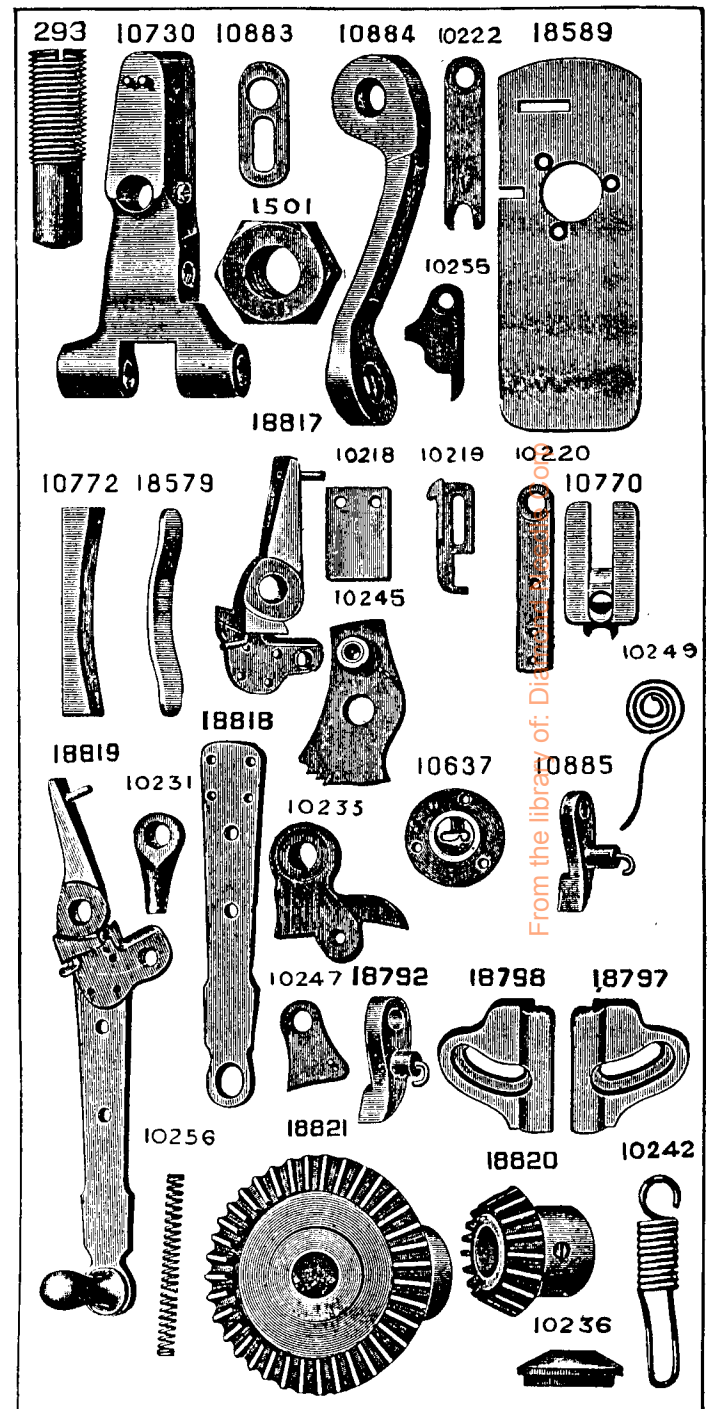


PLATE 4784—ONE-HALF SIZE



From the library of: Digital Library of America

PLATE 4785—ONE-HALF SIZE

